

SUBLI 1510 +

LARGE FORMAT SUBLIMATION PRESS

Example of applications

- * Sports goods.
- * Advertising, flags, banners, accessories.
- * Large photos, posters.
- * Transfer on Hard Substrate (ceramic, aluminum, plastic, wood...)
- * Textile : home finishing, apparel, curtains...
- * Awning

High thermal efficiency.

- Ideal for sublimation with good productivity and flexibility
- Fast startup ! (15 to 20min)
- Plate sizes: 157x107cm
- Multizone heating plate for a perfect heat evenness
- **2-year** guarantee on the machine
- **10-year** guarantee on the heating plate
- Manufactured in France



Technical characteristics

Plates Sizes	157 x 107 cm
Weight	1000 kg
Maximal Pressure	296 g/cm ²
Max Temperature	220°C
Power Supply (3-phase current)	400 V
Electric Power	20.25 KW
Amperage	32 A
Compressed air required	4 to 6 bars
Max thickness of materials	35 mm

Advantages

- Mechanics :

- * Designed and built for big productions.
- * Double driven plates, working alternatively.
- * Pressure transmitted by 4 air cylinders.

- Quality :

- * Security assured by an optical detection cell and 3 emergency stop buttons.
- * Reinforcement of the plates : allows to sublimate some heavy media (such as ceramic tiles).
- * 2 independent heating zones for a very consistent edge to edge temperature control

- Ergonomy :

- * Touch screen panel and user friendly interface.
- * Preparation of the next transfer in hidden time.

Touch Screen Panel

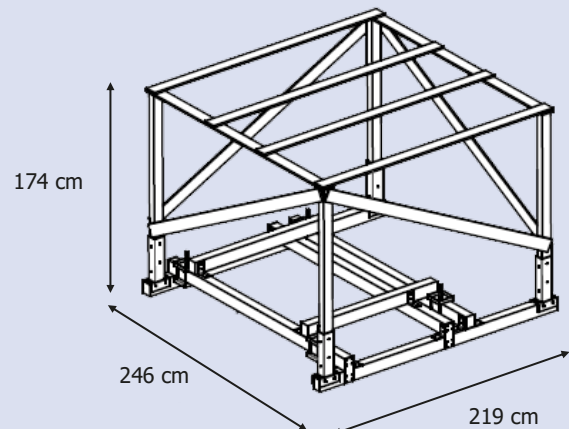


Electronics developed by Sefa.

- Accurate and fast regulation (PID control) for a wide range of heat transfer products :
 - * Sublimation on textiles (sports articles, flags, banners...)
 - * Sublimation on rigid substrates (Aluminum, MDF for photos transfers)
- Multizones temperature adjustment.
- Multilingual interface.

From 0 to 220°C (precision +/- 0.5%).
Heating time to reach 180°C : 15 mn.

Dimensions



Box weight : 327 Kg
Pallet dimensions: 246 x 219 cm
Pallet weight: 169 Kg